

First Christian Church - Newsletter



Family Info Sheet:

If you are new to the Church or if there are any changes:

Please fill out a new Family sheet and don't forget to fill out the back & volunteer.

Please, Return to Celena.

Pg. 1	Upcoming Events
Pg. 2	Prayers in Need
Pg. 3	Serving List
Pg. 4	From the Minister
Pg. 5	Birthday/Anniversaries
Pg. 6	Kids Page/Puzzle



Board Meeting

January 7th @ 8:00pm

Potluck: January 11th

Bring your favorite dish
& dessert



Prayers for Healing

General: Mary Brown, Jody Carter, Cash Collins, Larry Cooper, Frank Cuff, Don Curry, Linda Dixon, Dianna Dunaway, Jack Ellis, Jessica Ellis, Randy Eubanks, Terry Franklin, Dennis Fujii, Kaitlin Grim, Ashley Haddock, Noah Haddock, Veronica Handcock, Elizabeth Hinojoso, Debbie Hogan, Barbara Johnson, Lisa Lawson, Madilyn Lens, Larry Lignitz, Roger Lockhart, Fran Lockhart Jr, Maxine Malcolm, Nancy M^cLemore, Donna Mary, Kate M^c - Donald, Dora M^c Dowell, Ron M^cGuire, Jeff & Tammy M^cLaughlin, Frank M^cPherson, Randell Moore, Jeff Myers, Victoria Owens, Teddy Petree, Philip Powell, Lenox Price, Jane Pryor, Bill Ramsey, Bill Roedenbeck, Bob Ritter, David Roberts, Ashley Ross, Ross Roye, Rogelio Salinas, Kyle Striglio, , Donell Tibbit, Titus Vaus, James Wheeler, Steve Wilson, Carolyn Carson-Wise, Ron Woodward, & Cleta Worley

Cancer: Billie Asbill, Lisa Bengé, Donny Camp, Dale Cauffman Nancy Cole, Mike Collins, Patricia Dority, Norma Eli, John Garrett, Jenny Guthrie, Amy Hammer, Jeremy Isaacs, Natisha Martin, Cathy Matthews, Joe Means, Steve Meredith, Steve Murray, Shannon Rock, Ron Ruen, Becky Salinas, Scott Smith, Danielle Unger, Madeline Watkins & Don Wolf

Military: LTC Casey Eubanks - Air Force; Capt. Jack Greer - Army; Spencer Simmons - Army; LTC Alan Starr - Air National Guard; Brooklyn Vann - Army; Tom Woods - Air National Guard; & World Revival & World Revival



Pray for our Missions we support:

ACRC Food Pantry; Bridge Church Of Marion; Northeastern Campus Fellowship at NSU; Cookson Hills Christian Children's Ministry; Good News Productions; CIY; Pioneer Bible Translators; Ninos De Mexico; Mexico Christian Children's Home; Jim and Terri Riley-Honduras; Collegio Biblico; India Christian Bible College; Stilwell Ministerial Alliance & Sunset Bible Camp.

Serving List:

Jan. 4th

Table: Grady Ritter & Daryl Johnson

Distribute: Warren Golden, Ron Rhoads & Cole Hill

Announcements: Grady Ritter

Shut ins: Fred Holtz & Dan Butler

Prep: The Holtz's

Nursery: Nanette Holt & Linda Roedenbeck

Jan. 11th

Table: Cy Bray & Charles Benham

Distribute: Rick Eubanks, Dan Butler & Stetson Starr

Announcements: Rick Eubanks

Shut-ins: Rex Earl Starr & Ron Rhoads

Prep: The Dotson's

Nursery: Shelbie Ross & Celena Bray

Jan 18th

Table: David Dotson & Fred Holtz

Distribute: Justin Spear, John Ross & Daryl Johnson

Announcements: Daryl Johnson

Shut-ins: Cy Bray

Prep: Melissa Cole

Nursery: Ronda Holtz & Vicki Cox- Wilson

Jan 25th

Table: Lynn Carson & Rex Earl Starr

Distribute: Alan Starr, Warren Golden & Dan Butler

Announcements: Warren Golden

Shut-ins: David Dotson

Prep: The Bray's

Nursery: Liz Brown & Andrea Brown

Greeters: The Bone Family



From The Minister



As we begin the New Year, someone wrote some thought – provoking words on the meaning of time. Here they are”

1. To realize the value of “one month” as a mother who gave birth to a premature baby.
2. To realize the value of “one week”, ask the editor of a weekly newspaper.
3. To realize the value of “one hour”, ask the lovers who are waiting to meet.
4. To realize the value of “one minute”, ask the person who missed the plane.
5. To realize the value of “ one second”, ask the person who just avoided an accident
6. To realize the value of “one millisecond”, ask the person who won a silver medal in the Olympics

The coming of the New Year forces us to face the question; what will be my priorities this year?

Years ago author J.C. Ryle wrote some thought-provoking words also. He says, “a zealous Christian is pre-eminently a man of one thing... He sees one thing, he cares for one thing, he lives for one thing, he is swallowed up in one thing; and that one thing is to please God. Whether he lives, or whether he dies - - whether he has health or whether he has sickness - - whether he is rich or whether his is poor -- - for all this the zealous man cares nothing at all.

He lives for one thing, and that one thing is to please God! And may we each ask ourselves as we begin a new year - - what are my priorities for 2026?



*Happy New Year
Eldon & Vicki*



January 2026

Birthdays:

Sunday	Monday	Tuesday	Wednesday	Thursday	Friday	Saturday
				1 New Year's Day	2 Chase Buckner	3 Zadalynn Taylor
4 Brooks Kindle	5 Tena Bartholomew	6 Jaymie Bates	7	8 Landon Smith	9	10 Elaina Starr-Spear
11	12	13	14 Talon Thurber	15	16	17
18 Roberta Golden	19	20 Megan Arnett	21	22	23	24 Rick Eubanks
25 Nikki Starr	26 Kodi Ross & Samuel Jones	27	28	29	30 Lauren & Shannon Catron Rex Earl Starr	31 Natalie Johnson

Free calendar provided and created by handycalendars.com

Bible Quiz

Jeremiah 29:11 (NIV)

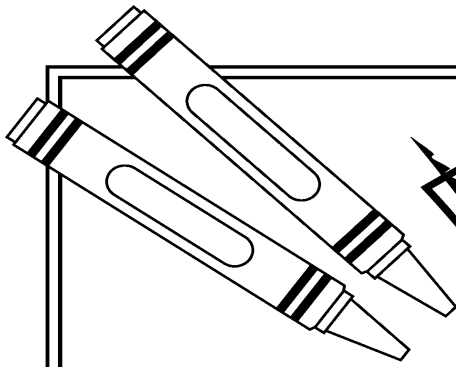
“For I know the plans I have for you,” declares the Lord, “plans to prosper you and not to harm you, plans to give you hope and a future.”



In Matthew 13, to what does Jesus compare the kingdom of heaven?

- A. A farmer sowing seed
- B. A mustard seed
- C. Yeast
- D. Hidden treasure
- E. A merchant who finds a pearl
- F. A fishing net
- G. All of the above

(See Matthew 13:24-51.)



PUZZLE

The Beginning

The start of a new calendar year is a great time to praise God for his amazing creation.

Directions: Read Genesis 1:1-3 (NIV), below. Place the underlined words into the crossword. One letter has been provided to help you start.

*I*n the beginning God created the heavens and the earth. Now the earth was formless and empty, darkness was over the surface of the deep, and the Spirit of God was hovering over the waters. And God said, "Let there be light," and there was light.

