

Church

Newsletter



**"For I know the PLANS
I have for you"
declares the LORD
"plans to PROSPER you
and not to harm you,
plans to give you
HOPE and a
FUTURE."
Jeremiah 29:11**



| | |
|-------|------------------------|
| Pg. 2 | Prayers in Need |
| Pg. 3 | Serving List |
| Pg. 4 | From the Minister |
| Pg. 5 | Coming Events |
| Pg. 6 | Birthday/Anniversaries |
| Pg. 7 | Kids Page/Puzzle |



General: Mary Brown, Keli Butler, Jody Carter, Eric Catron, Liz Coldwell, Cash Collins, Larry Cooper, Justin Crook, Frank Cuff, Don Curry, Linda Dixon, Karen Dotson, Dianna Dunaway, Jessica Ellis, Randy Eubanks, Grace Ferris, Terry Franklin, Dennis Fujii, Kaitlin Grim, Ashley & Noah Haddock, Veronica Handcock, Sutton Hicks, Elizabeth Hinojoso, Debbie Hogan, Barbara Johnson, Lisa Lawson, Madilyn Lens, Larry Lignitz, Roger Lockhart, Fran Lockhart Jr, Maxine Malcolm, Donna Mary, Kate M^c Donald, Dora M^c Dowell, Ron M^cGuire, Jeff & Tammy M^cLaughlin, Nancy M^cLemore, Frank M^cPherson, Jeff Myers, Victoria Owens, Teddy Petree, Philip Powell, Lenox Price, Jane Pryor, Bill Ramsey, Bob Ritter, David Roberts, Bill Roedenbeck, Ashley Ross, Ross Roye, Rogelio Salinas, Curtis Smith, Kyle Striglio, Donell Tibbit, Titus Vaus, James Wheeler, Steve Wilson, Carolyn Carson-Wise, Ron Woodward, & Cleta Worley

Cancer: Billie Asbill, Lisa Benge, Donny Camp, Dale Cauffman, Nancy Cole, Mike Collins, Patricia Dority, Norma Eli, John Garrett, Jenny Guthrie, Amy Hammer, Jeremy Isaacs, Natisha Martin, Joe Means, Steve Meredith, Steve Murray, Shannon Rock, Ron Ruen, Becky Salinas, Scott Smith, Danielle Unger, Madeline Watkins & Don Wolf

Military: LTC Casey Eubanks - Air Force; Capt. Jack Greer - Army; Spencer Simmons - Army; LTC Alan Starr - Air National Guard; Brooklyn Vann - Army; Tom Woods - Air National Guard; & World Revival

Special Prayers: Keli Butler, Eric Catron, Liz Coldwell, Karen Dotson, Grace Ferris, Sutton Hicks, Barbara Johnson & Lenox Price,



Pray for our Missions we support:

ACRC Food Pantry; Bridge Church Of Marion; Northeastern Campus Fellowship at NSU; Cookson Hills Christian Children's Ministry; Good News Productions; CIY; Pioneer Bible Translators; Ninos De Mexico; Mexico Christian Children's Home; Jim and Terri Riley-Honduras; Collegio Biblico; India Christian Bible College; Stilwell Ministerial Alliance & Sunset Bible Camp.

February Serving List:

February 1st

Table: Cy Bray & Charles Benham

Distribute: John Ross, Heath Guffey & Rick Eubanks

Shut-in's: Daryl Johnson & Grady Ritter

Announcements: Charles Benham

Prep: The Ritter's

Nursery: Nanette Holt & Linda Roedenbeck

February 8th

Table: Lynn Carson & David Dotson

Distribute: Alan Starr, Stetson, Starr & Justin Spear

Shut-in's: Rex Earl Starr

Announcements: David Dotson

Prep: The Holtz's

Nursery: Shelbie Ross & Celena Bray

February 15th

Table: Daryl Johnson & Grady Ritter

Distribute: Cole Hill, Dan Butler & Warren Golden

Shut-in's: Fred Holtz & Dan Butler

Announcements: Dan Butler

Prep: The Dotson's

Nursery: Ronda Holtz & Vicki Cox-Wilson

February 22rd

Table: Fred Holtz & Rex Earl Starr

Distribute: Rick Eubanks, Cy Bray & Hunter Williamson

Shut-in's: Cy Bray

Announcements: Fred Holtz

Prep: Melissa Cole

Nursery: Andrea Brown & Liz Brown

Greeters: The Bray's

Jr. Church:

1st – Cy Bray

8th - Potluck

15th – Karen Dotson

22rd – Cole Hill



As February approaches, our minds go to love and Valentine's Day. But let us keep foremost in our minds the love of God. Not only I Corinthians 13, but did you ever notice what is said about love and giving thanks from Psalms 136:1-9

- ¹ Give thanks to the Lord, for he is good.
His love endures forever.
- ² Give thanks to the God of gods.
His love endures forever.
- ³ Give thanks to the Lord of lords:
His love endures forever.
- ⁴ to him who alone does great wonders,
His love endures forever.
- ⁵ who by his understanding made the heavens,
His love endures forever.
- ⁶ who spread out the earth upon the waters,
His love endures forever.
- ⁷ who made the great lights—
His love endures forever.
- ⁸ the sun to govern the day,
His love endures forever.
- ⁹ the moon and stars to govern the night;
His love endures forever.

And Psalms 136:23-26

- ²³ *He remembered us in our low estate*
His love endures forever.
- ²⁴ *and freed us from our enemies.*
His love endures forever.
- ²⁵ *He gives food to every creature.*
His love endures forever.
- ²⁶ *Give thanks to the God of heaven.*
His love endures forever.

Let us never take God's love for granted. When we really love Him, we will desire and do what He says.

So: *keep on Loving Him with all your heart!*



Brother Eldon



COMING EVENTS

Praise Dance Classes



Every Sunday
2:00-3:30 pm
(Free)

Board Meeting

February 4th
8:00 pm

February 8th Valentine's Day Potluck

Main Dish is provided. You just need
to bring desserts, veggies, &/or salads



Wednesdays @ 6:00 PM

Come Join Us!

Practices will be every Wednesday
to get ready for our
annual Easter Cantata.



February 21st

Come and go from
2:00-4:00 pm
All are welcome!

FEBRUARY 2026

| SUNDAY | MONDAY | TUESDAY | WEDNESDAY | THURSDAY | FRIDAY | SATURDAY |
|-------------------|----------------------|--|----------------------|----------|----------------------|---|
| 1 | 2 David Dotson | 3 | 4 Donna Benham | 5 | 6 Grace Ferris | 7 |
| 8 Cole Hill | 9 Shelbie Ross | 10 Leon Goodwin Larry Roberts | 11 | 12 | 13 | 14  |
| 15 | 16 | 17 | 18 | 19 | 20 | 21 Kathy Ritter |
| 22 | 23 | 24 Kaden Hill | 25 | 26 | 27 | 28 |
| | | | | | | |

Anniversaries:



14th Kevin & Michelle Smith

15th Lynn & Jody Carson

NEVER-ENDING GIFT

Seven days a week, remind someone special about God's love, the gift that truly keeps on giving.

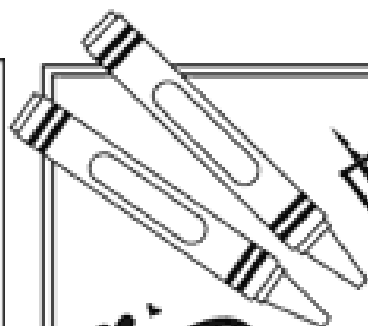


What you need:

- Large plastic pill box with a compartment for each day
- Construction paper
- Craft glue
- Black permanent marker
- Heart stickers
- Scissors
- Bible
- Pencil
- 7 small treats (fish-shaped crackers, small candies, trail mix, etc.)

What you do:

1. Glue paper onto the container. Write "God's Love" in permanent marker. Decorate with heart stickers.
2. Cut seven slips of paper. On each slip, write out one Bible verse about God's love. (Examples include Psalm 63:3; Psalm 100:5; John 3:16; John 15:12; Romans 5:8; 1 John 4:9.)
3. Fill each compartment with a different treat. Then place a folded slip atop each treat.
4. Give away the present. Tell the recipient to open the correct day for a week – and then refill the treats and verses and "regift" God's love to someone else.



PUZZLE

God's Love

We can't measure God's love for us. It starts before we're born and continues for eternity.

Directions: Down the left-hand column, spell out the name of each number. Then write the circled letters on the blank lines in the right-hand column. Read the words on the right, from top to bottom, to see what Psalm 33:22 (NIV) says about God's love.

| | | |
|----|---------------------|-------------------|
| 20 | _____○ | "M a _____ |
| 4 | ○ ○ ○ ○ | y _____ |
| 99 | ○ ○ _____ - ○ ○ | u _ f a _ l _ _ g |
| 7 | _____ ○ ○ | l o _ _ _ |
| 1 | _____ ○ | b _ _ |
| 28 | _____ ○ _____ ○ | _____ h |
| 60 | ○ _____ | u _ , |
| 40 | ○ ○ _____ | L _ _ d, |
| 70 | ○ ○ ○ ○ _____ | _____ |
| 6 | ○ _____ | a _ _ |
| 12 | _____ ○ _____ | _____ |
| 64 | _____ - _____ ○ | p _ t |
| 14 | ○ ○ ○ ○ _____ | _____ |
| 81 | _____ ○ _____ - ○ ○ | _____ p _ |
| 9 | ○ ○ _____ | _____ |
| 24 | _____ ○ - ○ ○ _____ | _____ ." |

PSALM 33:22, NIV

Fourteen our
 Eighty-one hope
 Nine in
 Twenty-four you."
 Sixty us,
 Forty Lord,
 Seventy even
 Six as
 Twelve we
 Sixty-four put
 Twenty "May
 Four your
 Ninety-nine unfailing
 Seven love
 One be
 Twenty-eight with