

Keep up with what is happening this month.

Church Newsletter

April

Easter Service:

April 4, 2021

10:30 a.m.

No Sunday School

Services:

Two ways you are able to watch our Sunday Morning Services if you are still not ready to attend Church.

1. Go to Youtube.com and type in First Christian Church Stilwell Ok and you can watch Live from there.
2. Go to the First Christian Church Facebook page and watch it live there.

Updates:

Youth Fund Raiser

Rib pick up April 3rd
@ 11am & 3pm

Easter Service/Cantata:

April 4th @ 10:30

Board Meeting:

April 7th @ 8:00 pm

Potluck / Family Sunday:

April 11th @ 11:30 am

Pg. 1 Updates

Pg. 2 Prayers in Need

Pg. 3 From the Minister

Pg. 4 Birthday/Anniversaries

Pg. 5 Serving List

Pg. 6 Kids Page/Puzzle



A special *Thank You* to those who have volunteered and have been working so hard in the background ...

Prayers for Healing

General: Isabella Barger, Tracy Bates, Rodney Benham, Jim Blackard, Mike Carson, Kevin Chrisman, Bethel Clausen, Amanda Collins, Theresa Comer, Donny Curry, Carolyn Denny, Michael Diver, Rhonda Doyle, Terry Franklin, Gary Fuson, Debbie Holden, Kaitlin Grim, Running Bear Grimmet, Darrell Guffy, Ashley, & Noah Haddock, Elizabeth Hinojoso, Betty Isaacs, Bobbie Jane Johnson, Sandy Johnson, Kelsey Jordon, Betsy Lawson, Lisa Lawson, Erica Leach, Madilyn Lens, Ken & Norma & Linda Littledeer, Fran Lockhart, Roger Lockhart Jr, Don Mann, Donna Mary, Haskell, Mike & Wanda M^c Cully, Ivory M^c Donald, Dora Dowell, Jeff & Tammy M^cLaughlin, Tanya & Laura Mitchell, Victoria Owen, Lenox Price, Phillip Powell, Baylor Ray, Glenda Reed, Bob, Brian, Chris, Lucy & Jack Ritter, Debbie Robert Family, Rogelio Salinas, Hadlee Smith, Tina Southworth, Nikki Starr, Gregg Stilwell, Bob & Charlene Swepston, Jeanette Tommer, Doug Walkingstick, Scott Wright & Steve Wilson.

Cancer: Scott Baird, Lisa Lindsay Benge, David Bowers, Declan Callahan, Derek Ceola, Patricia Dority, Rhonda Doyle Norma Eli, Joyce Eubanks, Doug Funburg, Chip Geneva, Amy Hammer, Greg Hatchett, Breanna Hix, Jeremy Isaacs, Tony Jones, Larry Lane, Jan Lockhart, Natisha Martin, Cathy Matthews, Rebecca Morris, Steve Murray, Sam Reed, Shannon Rock, Becky Salinas, Dee Spinner, Ronnie Trentham, Danielle & Linda Unger, Jerry Wallace, Judy Gayle-Waters, Madeline Watkins, Brett White, & Donna Wolf.

Military: Casey Eubanks - Air Force; Alan Starr-Air National Guard; All Veterans, past and present.

Special Prayers: Gregg Stilwell, Dorothy Brown, Betty Isaacs, Mike McCombs, Cathy Mathews, Rhonda Doyle, Lenox Price & Louise Mounce.

Love God, Love Others, Serve Others

Pray for our Missions we support:

ACRC Food Pantry; Northeastern Campus Fellowship at NSU; Cookson Hills Christian Children's Ministry; Ozark Christian College; Good News Productions; CIY; Pioneer Bible Translators; Ninos De Mexico; Mexico Christian Children's Home; Jim and Terri Riley-Honduras; Collegio Biblico; India Christian Bible College; Stilwell Ministerial Alliance, Sunset Bible Camp & The Christian's Hour Radio Program.



After Jesus' resurrection, He gave these instructions to his disciples. Matthew 28:18-20 Then Jesus came to them and said, *"All authority in heaven and on earth has been given to me. Therefore go and make disciples of all nations, baptizing them in the name of the Father and of the Son and of the Holy Spirit and teaching them to obey everything I have commanded you. And surely I am with you always, to the very end of the age."*

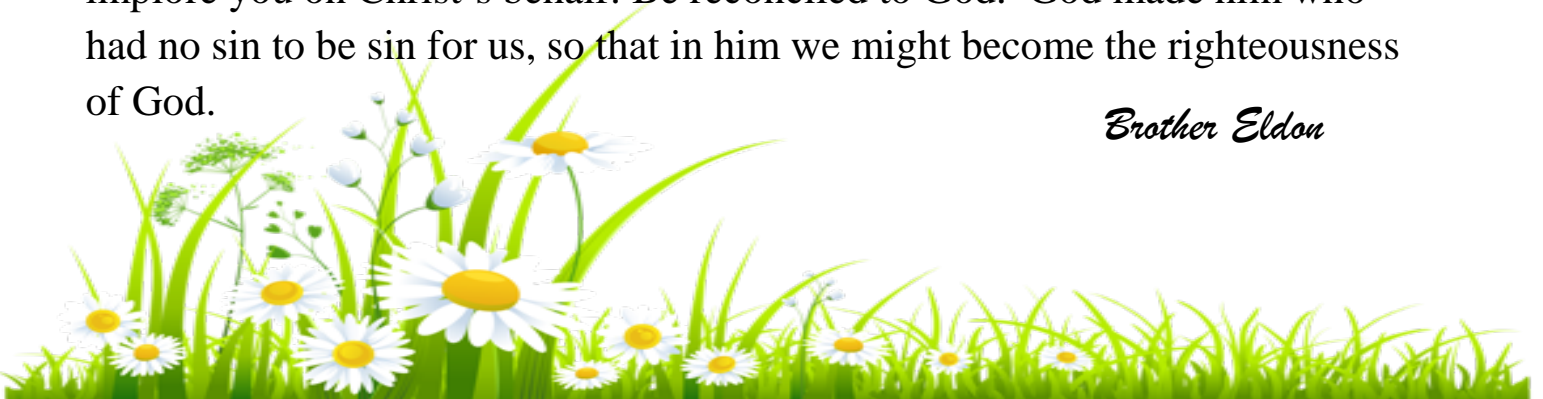
Mark tells it this way, *"Go into all the world and preach the gospel to all creation. Whoever believes and is baptized will be saved, but whoever does not believe will be condemned."* Mark 16:15-16

Luke adds in Acts 1:8 these words, *"you will receive power when the Holy Spirit comes on you; and you will be my witnesses in Jerusalem, and in all Judea & Samaria, and to the ends of the earth."*

We represent *"The ends of the earth;"* It is now our privilege and duty to carry on the great commission to our neighborhood. There is no reason for us to not do what our Lord has commanded us. The Covid -19 is really a non-factor now - - let us not let it be an excuse for not witnessing, inviting and bringing people to Jesus.

Paul says it like this: II Corinthians 5:20-21. We are therefore Christ's ambassadors, as though God were making his appeal through us. We implore you on Christ's behalf: Be reconciled to God. God made him who had no sin to be sin for us, so that in him we might become the righteousness of God.

Brother Eldon



Birthdays & Anniversaries:



2021 APRIL

SUNDAY	MONDAY	TUESDAY	WEDNESDAY	THURSDAY	FRIDAY	SATURDAY
				1	2 Luke Ritter	3
4 Brenda Dumler	5	6 Maxine Malcolm	7	8	9	10
11	12 Gwen Schmidt	13	14	15	16	17 David Roberts & Louise Carson
18 Kasia Thurber	19	20	21 Carson Brown	22	23	24
25 Kevin Stuhmer	26	27	28	29	30	

Anniversaries:

April 23rd David & Karen Dotson



April 4th Easter Sunday

Table: Charles Benham & David Dotson

Distribute: Dan Butler & Lynn Carson

Announcements: Charles Benham

AV Tech: Cy Bray

Prep: Melissa Cole

April 11th

Table: Daryl Johnson & Grady Ritter

Distribute: Larry Roberts & Rick Eubanks

Announcements: Rick Eubanks

AV Tech: Celena Bray

Prep: The Bray's

April 18th

Table: Cy Bray & Rex Earl Starr

Distribute: Dan Butler & Warren Golden

Announcements: Cy Bray

AV Tech: Brian Johnson

Prep: The Ritter's

April 25th

Table: Lynn Carson & Grady Ritter

Distribute: Daryl Johnson & Charles Benham

Announcements: Grady Ritter

AV Tech: Cy Bray

Prep: The Carson's

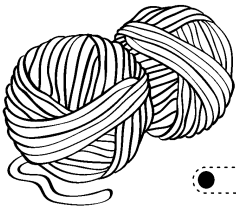
Nursery: Destiny Taylor

Pre-Jr Church: Liz Brown



CROSS CRAFT

Make this special cross as a reminder of Jesus' death and resurrection.

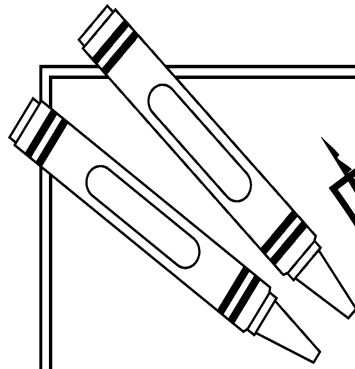


What you need:

- Adult help
- Piece of wood
- 5 nails
- Hammer
- 2 balls of yarn (blue and yellow)

What you do:

1. Hammer the nails into the wood to form a cross shape (see example).
2. Tie the blue yarn to the bottom nail. Wrap it up and around the top nail and back down to the bottom nail. Then wrap it around the middle nail and around the side nails. Repeat until the yarn is wrapped about halfway up the exposed nails.
3. Repeat step two with the yellow yarn. Wrap it around the nails until only the heads are visible.



PUZZLE

RESURRECTION HOPE



Romans 6:5 reveals the hope we have because Jesus rose from the dead on Easter.



Directions: First solve the math problems. Then put the corresponding words in the blanks; for example, the word next to the answer "1" goes in the first blank, the word next to the answer "2" goes in the second blank, and so on.

- | | | | | | |
|-----------|-----------|-------------|-------|------------|--------------|
| 2+2 = ___ | united | 2x3 = ___ | death | 7+6 = ___ | resurrection |
| 3x3 = ___ | certainly | 18-16 = ___ | have | 4-1 = ___ | been |
| 0+1 = ___ | if | 2x4 = ___ | we | 13-1 = ___ | him |
| 2+3 = ___ | in | 20-6 = ___ | like | 2+5 = ___ | his |
| 2x5 = ___ | be | 8+3 = ___ | with | | |

“For 1 we 2 3 4
 with him 5 a 6 like 7 ,
8 will 9 also 10 united
11 12 in a 13
14 his.” Romans 6:5, NIV